



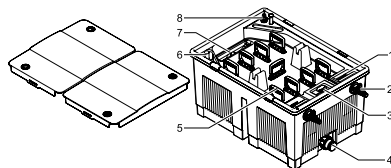
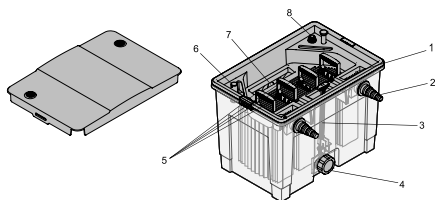
Oase
LIVING WATER



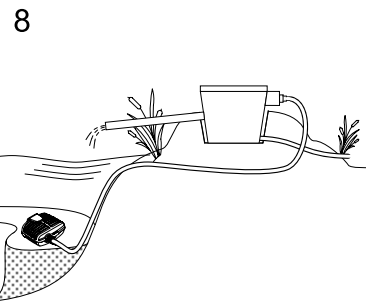
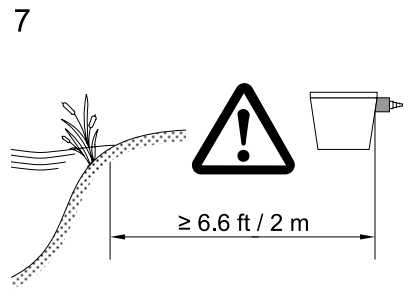
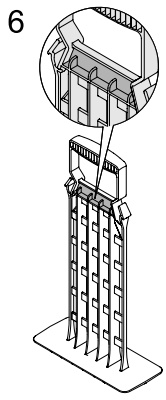
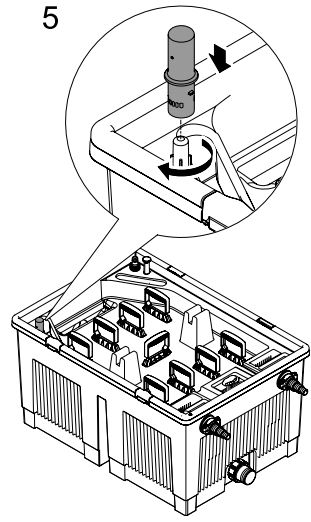
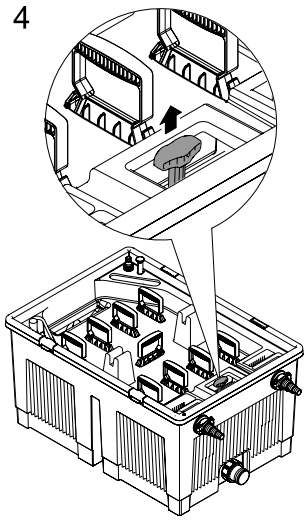
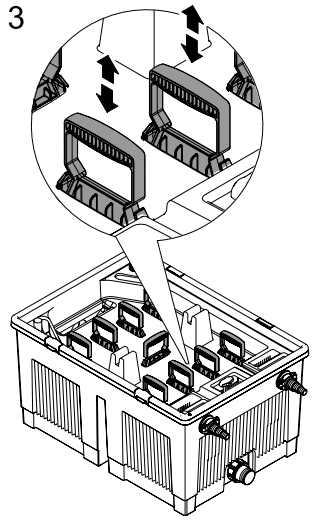
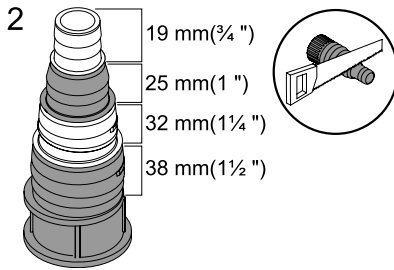
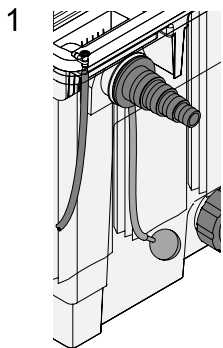
BioSmart 5000/10000

Operating instructions
Instrucciones de uso
Notice d'emploi





	1	2	3	4	5	6	7	8
GB	Container for pond additives	Water supply	Slide valve	Sludge drain	Filter cleaning Handle function	Water level indicator	Water drain	Fresh water supply
FR	Réceptient pour additifs	Arrivée d'eau	Vanne d'arrêt	Sortie des impuretés	Nettoyage de filtre avec poignée	Signalisation de niveau d'eau	Sortie d'eau	Alimentation en eau fraîche
ES	Recipientes para los complementos de estanque	Entrada de agua	Válvula de cierre	Salida de agua sucia	Limpieza del filtro Función de manejo	Indicador del nivel de agua	Salida de agua	Entrada de agua fresca



Information about these operating instructions

Welcome to OASE Living Water. You made a good choice with the purchase of this product **BioSmart 5000 / 10000**. Prior to commissioning the unit, please read the instructions of use carefully and fully familiarise yourself with the unit. Ensure that all work on and with this unit is only carried out in accordance with these instructions. Please strictly follow the enclosed instructions to ensure safe and correct handling of the product. Keep these instructions in a safe place! Please also hand over the instructions when passing the unit on to a new owner.

Symbols used in these instructions

The symbols used in this operating manual have the following meanings:



Risk of injury to persons due to dangerous electrical voltage

This symbol indicates an imminent danger, which can lead to death or severe injuries if the appropriate measures are not taken.



Risk of personal injury caused by a general source of danger

This symbol indicates an imminent danger, which can lead to death or severe injuries if the appropriate measures are not taken.



Important information for trouble-free operation.

Intended use

BioSmart 5000 / 10000, in the following termed "unit", and all other parts from the delivery scope may be used exclusively as follows:

- For mechanical and biological cleaning of garden ponds
- Operation under observance of the technical data.

The following restrictions apply to the unit:

- Minimum safety distance between the unit and the water: 6.6 ft (2 m).
- Never use the unit to convey fluids other than water.
- Do not use for commercial or industrial purposes.
- Do not use in conjunction with chemicals, foodstuff, easily flammable or explosive substances.



Important! Ensure that the filter will not overflow. Danger of emptying the pond.

Use other than that intended

This unit can be dangerous and cause harm to persons if not used in accordance with these instructions. Any use not in accordance with these instructions or modification(s) to the unit will void the limited warranty.

Installation

Lay the outlet pipe for the water outlet into the pond and the hose for the sludge drain into the sewage system or flower bed (8) with a sufficient gravity (i.e. slightly downhill). Place the unit at a flood protected position at a distance from the pond edge (7) of at least 6.6 ft (2 m) on a firm and level ground. Ensure unrestricted access to the cover to be able to carry out work on the unit. To avoid pressure loss, use hose connections which are as short as possible and have a maximum internal diameter; avoid bends and lay well protected, saw off the open stepped hose nozzle (2) at the corresponding mark. Push or turn the hose for the water inlet onto the open stepped hose nozzle and secure with a hose clip. Place a flat sealing ring on the thread of the stepped hose nozzle, push the thread of the stepped hose nozzle through the water inlet, insert an O ring on the thread from inside, screw the inlet nozzle on the stepped hose nozzle from inside ensuring that the opening points downward. Close the second water inlet with the closed hose nozzle (except when fitting an **OASE** UVC pre-clearing unit, e.g. Bitron). Lay the hose so that it cannot be stepped on, avoid kinks and connect it to the pump. During normal filter operation, the sludge drain should be closed using the cover cap. To permanently fit a 2" hose to the sludge drain, unscrew the cover cap from the dirt drain, push the union nut over the 2" hose nozzle, push on the hose and secure with the hose clip, insert the flat sealing ring in the union nut and firmly screw-tighten the 2" hose nozzle including the union nut on the dirt drain. As an option, you can permanently fit a 1/2" connection for a garden hose to the fresh water connection (1) and to connect the **OASE** pond aerator AQUA-OXY 400 to the air connection to ensure an adequate oxygen supply to the pond.

Start-up

Prior to starting up the unit, check that all clamps on the internal cover are closed. The clamps for pond additives can be used to supply additives such as filter starters to the filter and the pond (optional). Switch the pump on. Note: The Biotec filter is a biological filter system and requires several weeks after its first installation to reach its full biological effect, and must be run continuously to retain the biological efficiency.

Maintenance and cleaning



Attention! Dangerous electrical voltage.

Possible consequences: Death or severe injury.

Protective measures:

- Prior to reaching into the water, disconnect the power supply to all units used in the water.
- Disconnect the power plug prior to carrying out work on the unit.

Only clean the unit when required, do not use chemical cleaning agents to permit the filter biology to optimally develop, knowing that cleaning agents kill the bacteria in the foam filters. Clean the filter system immediately when the float switch in the water level indicator becomes visible from outside. Switch off the pump and open the unit cover.

Cleaning foam filters

To mechanically clean the foam filters, pull on the cleaning handles and "pump" (3) several times neither too strong nor too fast. If necessary, unscrew the cover cap from the sludge drain, open the slide valve (4), allow the water to drain completely, close the slide valve again; repeat the cleaning process 2 to 3 times, if necessary. If necessary, remove the foam filters and clean more thoroughly in a bucket of pond water. To this effect, press the engagement of the cleaning handles to the side until the connection to the inner cover disengages. Release the clamps at the inner cover and remove cover. Pull the foam filters from the foam filter holder (6), spray clean the container, the inner cover, the cover and the foam filters with clean water. Reinsert the cleaned foam filters in the foam filter holders (the green foam filter in the black foam holder). Pull the handles of the foam filter holders through the slots in the inner cover from below until the foam filter holders engage. Insert the inner cover into the filter container and fold over all clamps, fit filter cover and switch on the pump. Replace the foam filters if the float switch of the water level indicator keeps showing a medium to heavy soiling following the cleaning process.

Cleaning the water level indicator

Turn the water level indicator counter-clockwise (5) through approx. 30° and pull out of the inner cover. Remove the plug and the float switch out of the housing of the water level indicator and clean using clear water. Reassemble in the reverse order such that the float switch can move freely in the housing.

- English -

Storage/Over-wintering

- Put the unit out of operation at water temperatures below 46 °F (8 °C) or, at the latest, when freezing temperatures are to be expected.
- Drain and thoroughly clean the unit, check for damage.
- Remove, clean, dry and store all filters in a frost-free environment.
- Ensure that the storage place is inaccessible to children.
- Cover the filter container such that the ingress of rain water is excluded.
- Drain all hoses, pipes and connections as far as possible.

Wear parts

Foam filters are wear parts and are excluded from the warranty.

Disposal






Do not dispose of this unit with domestic waste! For disposal purposes, please use the return system provided. Disable the unit beforehand by cutting off the cables.

Malfunctions

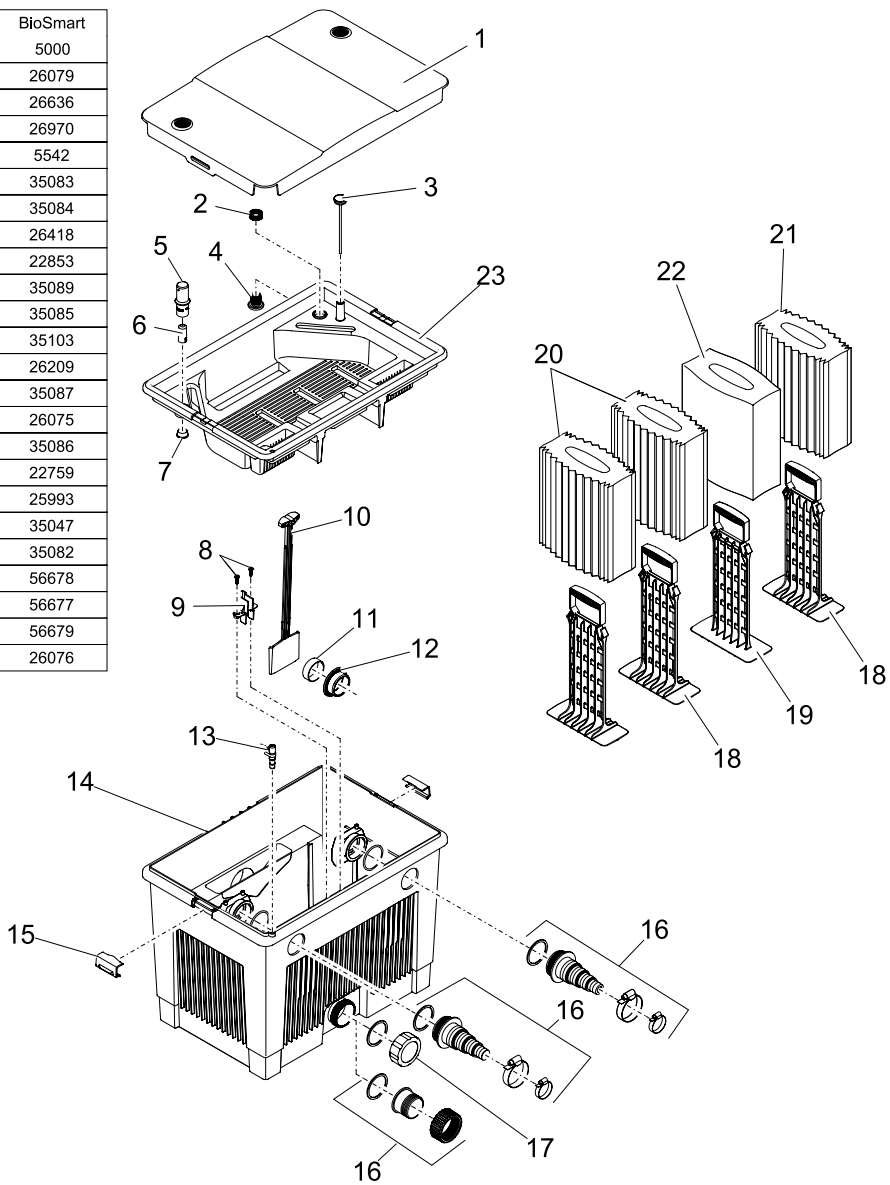
Trouble shooting	Cause	Remedy
Water stays cloudy	<ul style="list-style-type: none">- Unit has been in operation only for a short time- Inadequate pump capacity- Water extremely soiled- Excessive fish and animal population- Foam filters soiled	<ul style="list-style-type: none">- The complete biological cleaning effect is only achieved after several weeks- Readjust the pump capacity- Remove algae and leaves from the pond, perform a partial water change- Guide value: approx. 2 ft (60 cm) fish length on 1 m³ pond water- Clean foam filters

Technical Data

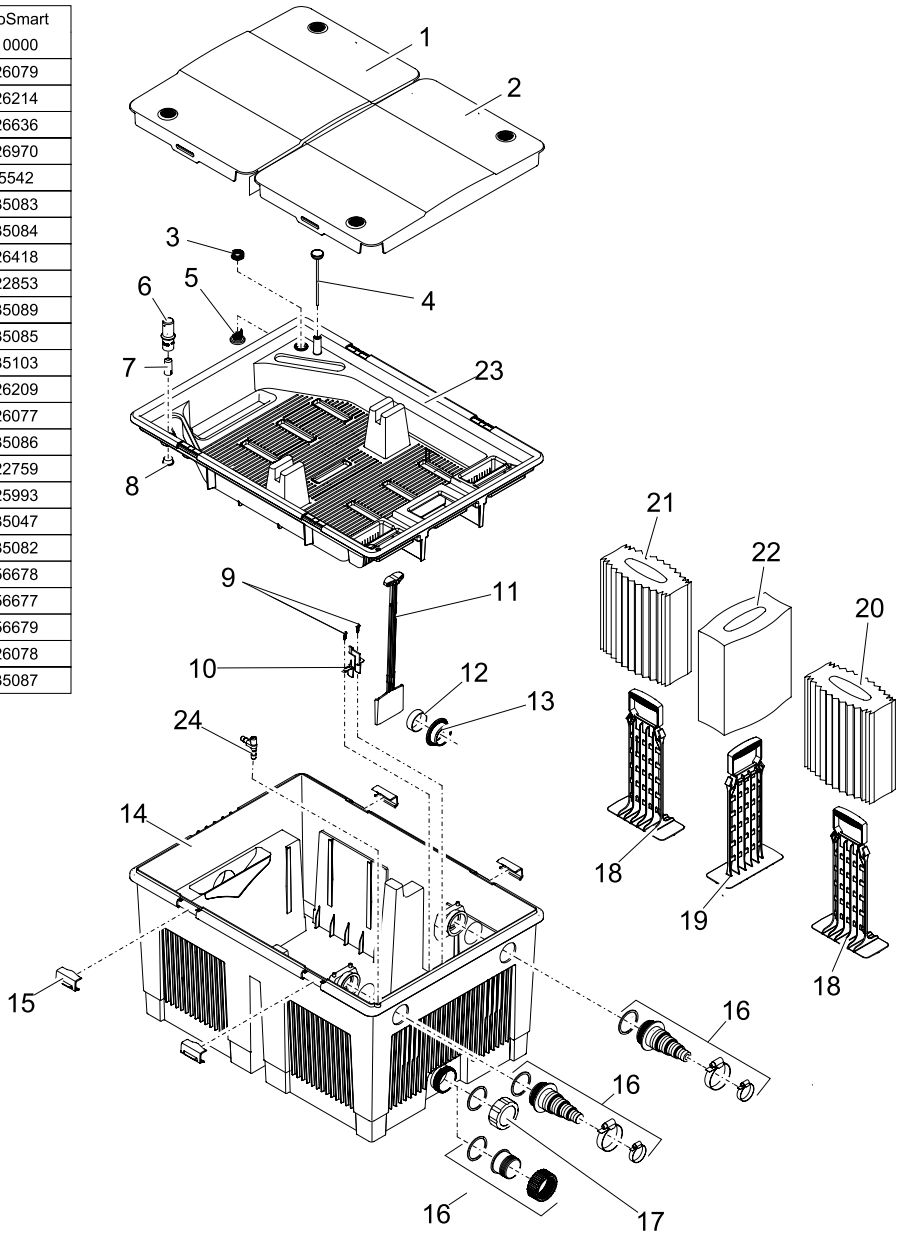
GB	Type	Dimensions	Weight	Water flow	Connections	Water drain	Sludge drain	Foam filters (blue)	Foam filters (red)	Foam filters (green)	Water temperature
ES	Type	Dimensiones	Peso	Caudal de agua	Conexiones	Salida de agua	Salida de agua sucia	Elementos de espuma filtrantes (azul)	Elementos de espuma filtrantes (rojo)	Elementos de espuma filtrantes (verde)	Temperatura del agua
FR	Type	Dimensions	Poids	Débit d'eau	Raccordements	Sortie d'eau	Sortie des impuretés	Eponges filtrantes (bleu)	Eponges filtrantes (rouge)	Eponges filtrantes (vert)	Température de l'eau
BioSmart	5000	1.3 x 1.8 x 1.35 ft 38.5 x 55.5 x 40.8 mm	12.8 lbs 5.8 kg	max. 1,450 gph max. 5,500 l/h	1" - 1 1/2"	DN 70	4"	2	1	1	min. 46 °F min. +8 °C
	10000	2.5 x 1.8 x 1.35 ft 77.0 x 55.5 x 40.8 mm	23.5 lbs 10.7 kg	max. 2,110 gph max. 8,000 l/h				4	4		

			
GB	Protect from direct sun light.	Remove the unit at temperatures below zero (centigrade).	Attention! Read the operating instructions
FR	A protéger du rayonnement solaire direct.	Retirer l'appareil en cas de gel	Attention ! Lire la notice d'emploi
ES	Protéjase contra la radiación directa del sol	Desinstale el equipo en caso de heladas.	¡Atención! Lea las instrucciones de uso

Pos.	BioSmart
1	5000
1	26079
2	26636
3	26970
4	5542
5	35083
6	35084
7	26418
8	22853
9	35089
10	35085
11	35103
12	26209
13	35087
14	26075
15	35086
16	22759
17	25993
18	35047
19	35082
20	56678
21	56677
22	56679
23	26076



Pos.	BioSmart
1	10000
1	26079
2	26214
3	26636
4	26970
5	5542
6	35083
7	35084
8	26418
9	22853
10	35089
11	35085
12	35103
13	26209
14	26077
15	35086
16	22759
17	25993
18	35047
19	35082
20	56678
21	56677
22	56679
23	26078
24	35087





OASE North America Inc. · www.oase-livingwater.com

23867/09-13